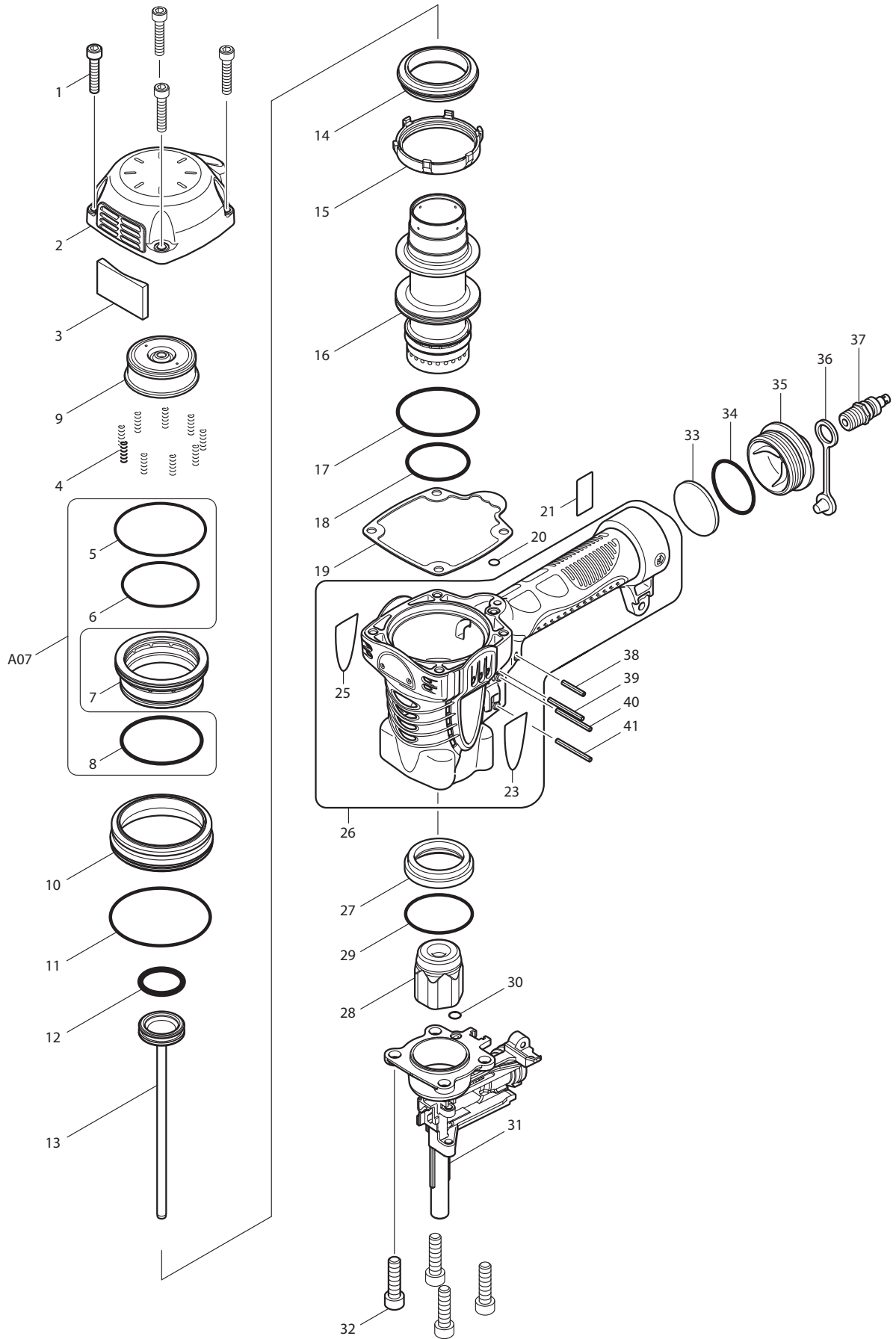
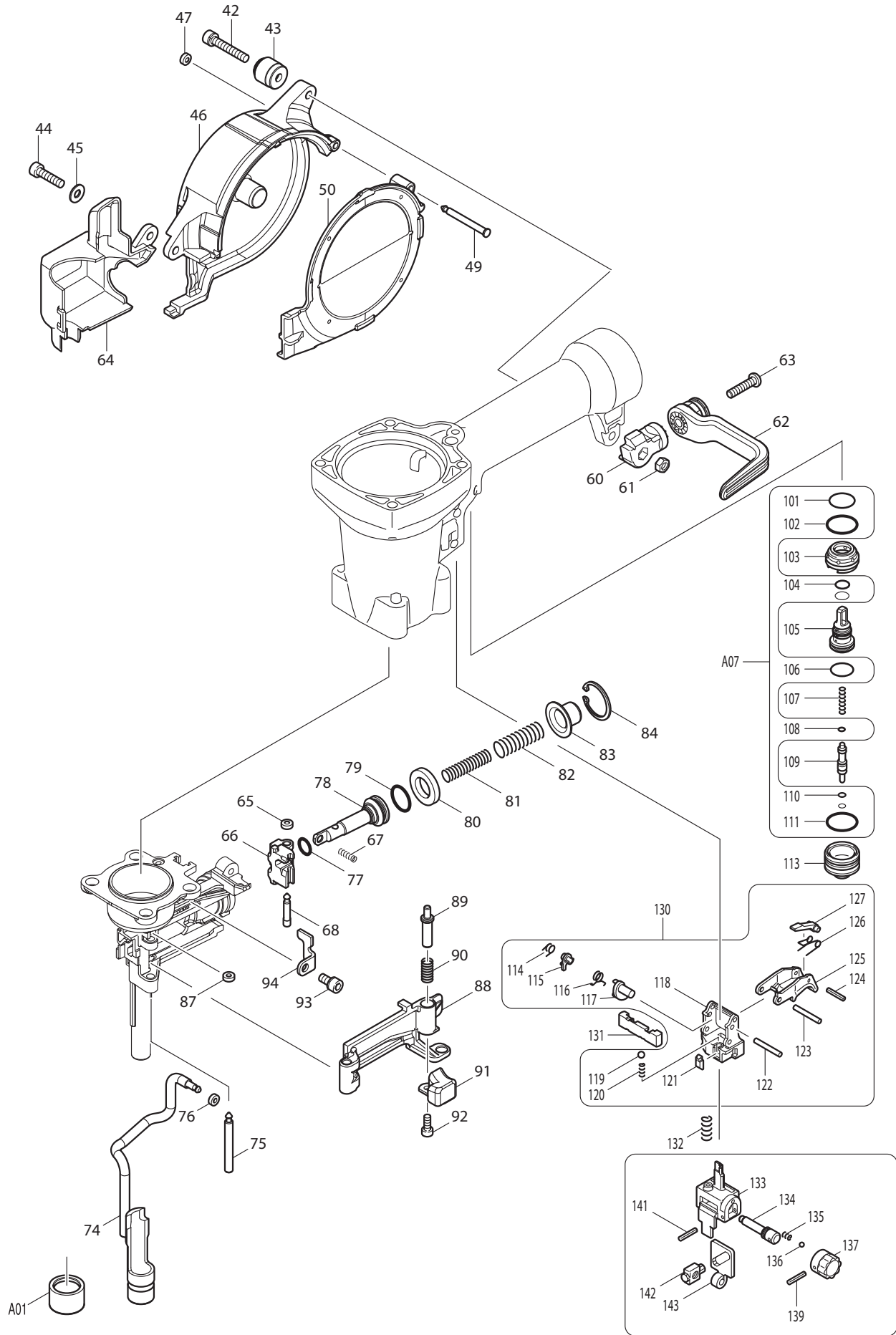




01 - 2010
AN250HC
HP COIL CONCRETE NAILER





Item No	Type	Ref	Part No	Description	Qty	Unit
001			265566-9	HEX SOCKET HEAD BOLT M6X30	4	PC.
002			158219-6	TOPCAP COMPLETE	1	PC.
003			413112-4	FILTER	1	PC.
004			233484-9	COMPRESSION SPRING 4	9	PC.
005			213668-5	O RING 60	1	PC.
006			213612-2	O RING 50	1	PC.
007			419842-5	HEAD VALVE	1	PC.
008			213657-0	O RING 53	1	PC.
009			424012-3	REAR CUSHION	1	PC.
010			331764-8	HEAD VALVE GUIDE	1	PC.
011			213720-9	O RING 67	1	PC.
012			213982-9	O-RING 26	1	PC.
013			168538-2	DRIVER	1	PC.
014			424013-1	VALVE SEAT	1	PC.
015			331759-1	CYLINDER STAY	1	PC.
016			331763-0	CYLINDER	1	PC.
017			213657-0	O RING 53	1	PC.
018			213531-2	O-RING 39	1	PC.
019			162254-8	TOP CAP GASKET	1	PC.
020			213045-1	O-RING 6	1	PC.
021			867290-6	AN250HC NAME PLATE	1	PC.
023			819324-1	MAKITA LOGO LABEL L	1	PC.
025			819323-3	MAKITA LOGO LABEL R	1	PC.
026			188778-6	HOUSING SET	1	SET
		INC.	816921-4	INDICATION LABEL	1	PC.
		INC.	810473-7	CAUTION LABEL	1	PC.
		INC.	*****	Item No. 23, 25	1	PC.
027			331758-3	CYLINDER GUIDE	1	PC.
028			424011-5	FRONT CUSHION	1	PC.
029			213554-0	O RING 44	1	PC.
030			213021-5	O RING 5	1	PC.
031			310318-4	DRIVER GUIDE	1	PC.
032			265565-1	HEX SOCKET HEAD BOLT M8X30	4	PC.
033			413105-1	INLET FILTER	1	PC.
034	2		213506-1	O RING 36	1	PC.
035			318108-9	INLET CAP	1	PC.
036			286280-4	CAP 9	1	PC.
037			243105-5	ONE-TOUCH JOINT H22PM	1	PC.
038			951069-6	SPRING PIN 3-20	1	PC.
039			951078-5	SPRING PIN	1	PC.
040			951078-5	SPRING PIN	1	PC.
041			951078-5	SPRING PIN	1	PC.
042			265919-2	HEX. SOCKET HEAD BOLT M5X30	1	PC.
043			325725-8	SLEEVE 5	1	PC.
044			266369-4	HEX SOCKET HEAD BOLT M5X20	1	PC.
045			267343-5	FLAT WASHER 5	1	PC.
046			451377-0	MAGAZINE	1	PC.
047			262120-0	URETHANE RING 3	1	PC.
049			256678-9	PIN 4	1	PC.
050			140305-7	MAGAZINE CAP COMPLETE	1	PC.
060			162255-6	HOOK BASE	1	PC.
061			931202-6	HEX. NUT M5	1	PC.
062			168499-6	HOOK	1	PC.

Item No	Type	Ref	Part No	Description	Qty	Unit
063			265176-2	PAN.HD.SCREW M5X22	1	PC.
064			451379-6	CONTACT ARM COVER	1	PC.
065			262120-0	URETHANE RING 3	1	PC.
066			310320-7	FEEDING CLAW	1	PC.
067			234150-1	COMPRESSION SPRING 3	1	PC.
068			256432-1	PIN 4-4.5	1	PC.
074			165584-6	CONTACT ARM	1	PC.
075			256782-4	PIN 5	1	PC.
076			262120-0	URETHANE RING 3	1	PC.
077			213054-0	O RING 9	1	PC.
078			325718-5	PISTON	1	PC.
079			213154-6	O RING 14	1	PC.
080			262123-4	RUBBER RING 14	1	PC.
081			234045-8	COMPRESSION SPRING 9	1	PC.
082			234046-6	COMPRESSION SPRING 10	1	PC.
083			345781-2	CUP WASHER	1	PC.
084			962103-7	RETAINING RING R-24	1	PC.
087			262120-0	URETHANE RING 3	1	PC.
088			310319-2	DOOR	1	PC.
089			325721-6	LOCK PIN	1	PC.
090			233201-7	COMPRESSION SPRING 6	1	PC.
091			310050-0	LOCK LEVER	1	PC.
092			266167-6	HEX. SOCKET HEAD BOLT M4X10	1	PC.
093			922211-6	HEX. SOCKET HEAD BOLT M5X12	1	PC.
094			346127-5	HOLDER	1	PC.
101			213233-0	O-RING 15	1	PC.
102	2		213310-8	O RING 20	1	PC.
103			419841-7	TRIGGER VALVE GUIDE	1	PC.
104			213968-3	O-RING 7	2	PC.
105	1		419958-6	* PILOT VALVE	1	PC.
	2		456261-4	* PILOT VALVE	1	PC.
106			213185-5	O-RING 12.5	1	PC.
107	1		234014-9	COMPRESSION SPRING 3	1	PC.
	2		234187-8	COMPRESSION SPRING 3	1	PC.
108	1		213034-6	* O RING 3	1	PC.
	2		213044-3	* O RING 3	1	PC.
109	1		324743-3	* TRIGGER VALVE STEM	1	PC.
	2		326189-9	* TRIGGER VALVE STEM	1	PC.
110	1		213979-8	* O-RING 3	2	PC.
	2		213640-7	* O-RING 3	2	PC.
111	2		213310-8	O RING 20	1	PC.
113			331741-0	TRIGGER VALVE CASE	1	PC.
114			233501-5	TORSION SPRING 5	1	PC.
115			310199-6	STOPPER PLATE	1	PC.
116	2		233576-4	TORSION SPRING 6	1	PC.
117			310310-0	LEVER	1	PC.
118			419844-1	TRIGGER BASE	1	PC.
119	1		216024-8	STEEL BALL 4	1	PC.
	2		326144-1	LOCK PIN	1	PC.
120			233490-4	COMPRESSION SPRING 2	1	PC.
121			419743-7	SPRING COVER	1	PC.
122			268168-0	PIN 3	1	PC.
123			268168-0	PIN 3	1	PC.
124			951007-8	SPRING PIN 2-12	1	PC.

Item No	Type	Ref	Part No	Description	Qty	Unit
125			310190-4	TRIGGER	1	PC.
126			231699-2	TORSION SPRING 4	1	PC.
127			310196-2	TRIP LEVER	1	PC.
130			135188-8	TRIGGER ASSEMBLY	1	PC.
		INC.	*****	Item No. 114-127	1	PC.
131			310187-3	CHANGE ROD	1	PC.
132			233489-9	COMPRESSION SPRING 6	1	PC.
133			310227-7	UPPER YOKE	1	PC.
134			324767-9	ADJUSTER SHAFT	1	PC.
135			233491-2	COMPRESSION SPRING 2	1	PC.
136			216031-1	STEEL BALL 2.3	1	PC.
137			158747-1	ADJUSTER COMPLETE	1	PC.
139			951010-9	SPRING PIN 2-14	1	PC.
141			951010-9	SPRING PIN 2-14	1	PC.
142			310201-5	ADJUSTER PIECE	1	PC.
143			345801-2	SLIDE PLATE	1	PC.
144			135228-2	ADJUSTER ASSY	1	PC.
		INC.	*****	Item No. 133-137, 139, 141-143	1	PC.
		INC.		Item No. 101-111, 113		
200			870490-9	CARTON	1	PC.
<u>ACCESSORIES</u>			- See catalogue or visit www.makita.ca for more accessories -			
A01			424234-5	NOSE ADAPTER A	2	PC.
A02			424237-9	NOSE ADAPTER B	2	PC.
A03			824792-5	PLASTIC CARRYING CASE	1	PC.
		INC.	188610-4	SLIDE LATCH RL SET	1	PC.
A04	2		195246-2	SAFETY GOGGLES	1	PC.
A05			194381-3	OIL SUPPLY SET 30ml	1	PC.
A06			F-33562	COLLATED CONCRETE PIN, 19X2.5MM(3/4X.098"), 1000/BOX	1	BOX
			F-33588	COLLATED CONCRETE PIN, 25X2.5MM(1X.098") , 1000/BOX	1	BOX
			F-33591	COLLATED CONCRETE PIN, 19X3.0MM(3/4X.1181") ,1000/BOX	1	BOX
A07	3		199953-9	* AIR LEAK REPAIR SET (FIRST AID KIT)	1	PC.
		INC.		* Item No. 5, 6, 8, 101, 102, 104, 106, 108(Type 2), 110(Type 2), 111	1	PC.

SERVICE CHANGES

1. Changes on Trigger Valve Stem and O Rings

(T/I# 94149)

(T/I# C5795)

Item No.	Description	Type 1	Type 2	Type 3
108	O RING 3	213034-6	213044-3	213044-3
109	TRIGGER VALVE STEM	324743-3	326189-9	326189-9
110	O RING 3	213979-8	213640-7	213640-7
110	O RING 18 --> O RING 20		213275-4	213310-8
A07	AIR LEAK REPAIR SET (FIRST AID KIT)		194737-0	199953-9

Above parts are completely interchangeable as a set.

* Components No. 108, 110 are changes, though part no. reminds same

Type 1

Type 2

2. Changes on Pilot Valve

(T/I# A8903)

Item No.	Description	Type 1	Type 2
105	PILOT VALVE	419958-6	456261-4

Type 1

Type 2

